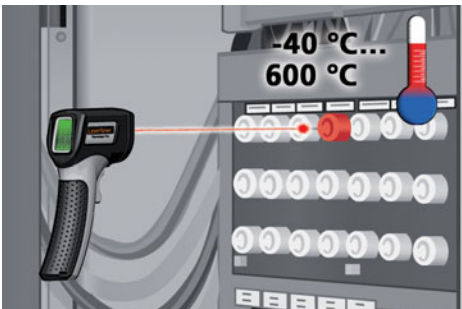
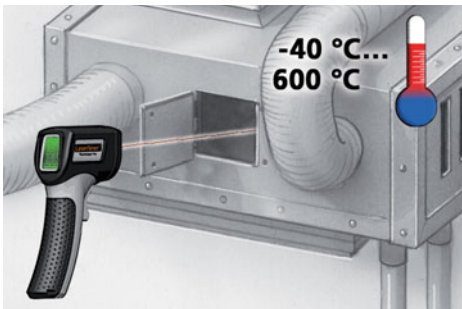


# Laserliner®

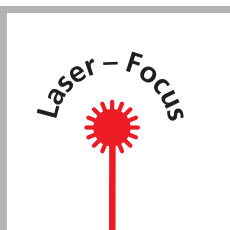
## ThermoSpot Pro Laser

### Non-contact infrared temperature measurement – With laser for focussing

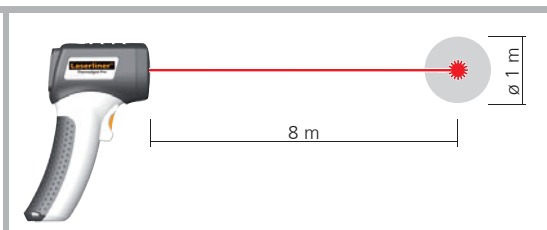
Rev. 1009



LCD Backlight




Laser for focussing the IR measurement



Lens 8:1

- **Functions:** Surface temperature
- **Non-contact temperature measurement:** This non-contact measuring method is ideal for taking temperature measurements at locations that are difficult to access. It can also be used to take measurements in hazardous zones, such as where there are moving machine parts or in electrical installations.
- **Large temperature measurement range:** From -40°C to 600°C
- **Adjustable emission coefficient** (0,10 – 0,99)
- **Focussing with a laser:** highlighting the point to be measured and allowing you to focus very precisely.
- **Max. function:** The highest value is displayed, if required.
- **LCD backlight:** Illuminated LCD
- **AUTO-Hold:** The most recent measured value is saved temporarily.
- Measured value display can be switched from °C to °F.
- **Housing with rubber casing** to protect against impact

#### TECHNICAL DATA

<b>MEASUREMENT RANGE</b> -40 °C to 600 °C
<b>ACCURACY</b> ± 1 °C (-10 °C to 60 °C) ± 1,5 °C (< -10 °C and > 60 °C) or ± 1,5 % whichever value is greater
<b>OPTICS</b> 8:1 (8 m distance : 1 m measured spot)
<b>RESOLUTION</b> 0,1°C
<b>EMISSION COEFFICIENT</b> 0,10 – 0,99; adjustable
<b>LASER WAVELENGTH</b> 650 nm
<b>LASER</b> type 2M, < 5 mW
<b>POWER SUPPLY</b> Type 9 V E block battery
<b>DIMENSIONS (B x H x D)</b> 108 x 161 x 38 mm
<b>WEIGHT</b> 0,185 kg
 <b>Laser</b> 650 nm



**Article no.:** 082.041A  
EAN code: 4 021563 665013

**ThermoSpot Pro**  
+ Battery  
+ Softbag

PU 5