



Version 1.0

Leica Rugby 620 Quick Start

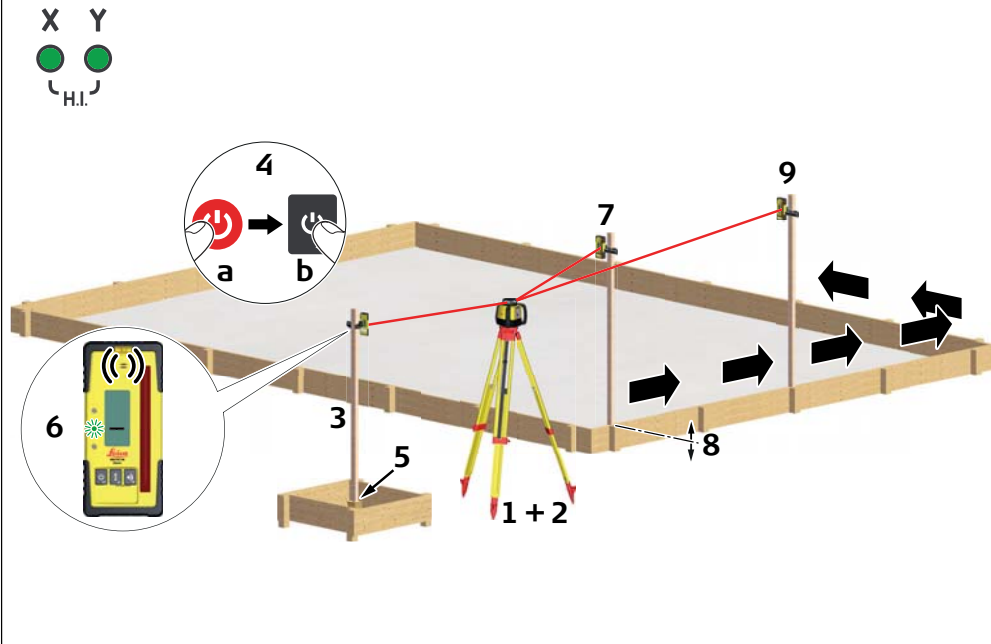
- when it has to be **right** *Leica Geosystems*

	X+ Y+ Y- X-	
	X Y H.I.	
	X Y H.I.	
	X Y H.I.	
	X Y H.I.	

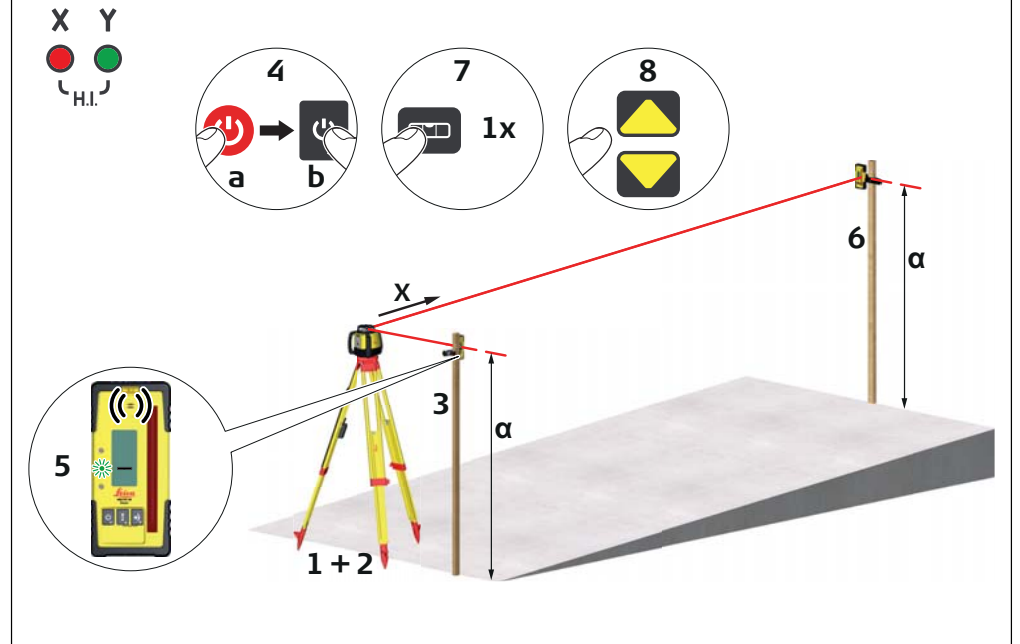
<p>Li-Ion</p>	<p>Alkaline 4x D-cell (LR20)</p>	
<p>Battery (Li-Ion)</p> <p> = 1 Hz = ≤ 10% 5 Hz = ≤ 5% = </p> <p> </p>	<p>Battery (Alkaline)</p> <p> = 1 Hz = 5 Hz = </p>	

<p>Rod Eye 140, Classic</p>	<p></p> <p></p> <p></p>	<p>o/i</p> <p>±1 mm, ±2 mm, ±3 mm</p> <p> </p>
<p>Rod Eye Basic</p>	<p></p> <p></p> <p></p>	<p>o/i</p> <p>±1 mm, ±3 mm</p> <p> </p>

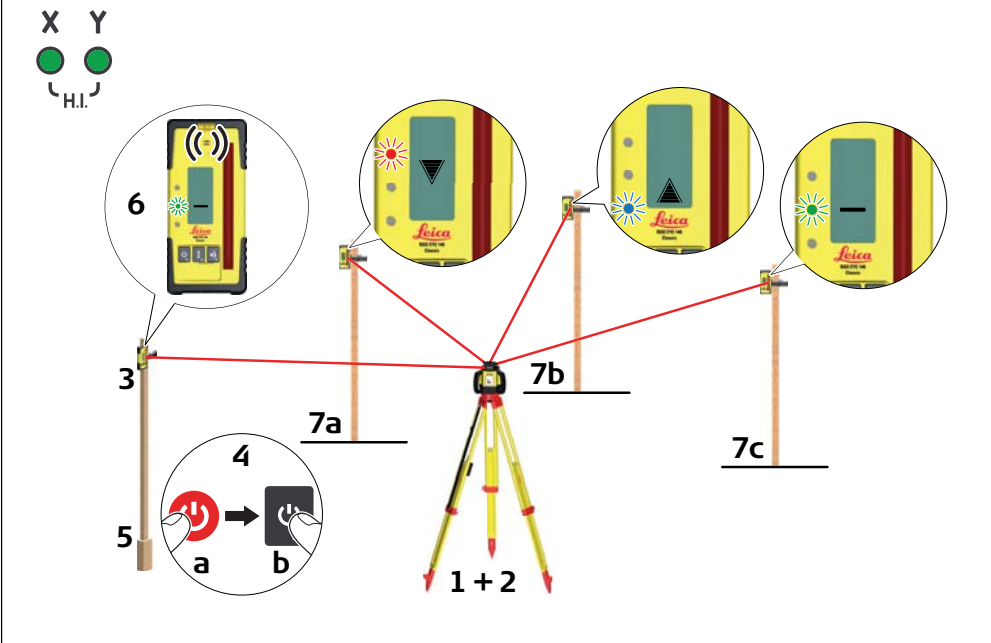
Setting Forms



Manual Grading



Checking Grades



Laser class 2 product in accordance with IEC 60825-1

Leica Geosystems AG
Heinrich-Wild-Strasse
CH-9435 Heerbrugg
Switzerland
Phone +41 71 727 31 31
www.leica-geosystems.com

- when it has to be **right**

Leica
Geosystems