



# Leica Rugby 640

## Quick Start

Version 1.0

- when it has to be **right**




	<b>0 rps, 2 rps, 5 rps, 10 rps</b>		
	<b>10°, 45°, 90°</b>		

<b>H.I. ALERT</b>			
<b>Battery (Li-Ion)</b>		<b>Battery (Alkaline)</b>	
	<b>= ✓</b>		<b>= ✓</b>
	<b>1 Hz = ≤ 10%</b>		<b>1 Hz =</b>
	<b>5 Hz = ≤ 5%</b>		<b>5 Hz = ✗</b>
	<b>= ✗</b>		

<p><b>Li-Ion</b></p>	<p><b>Alkaline</b> 4x D-cell (LR20)</p>	<p><b>Alkaline</b> 4x AA-cell (LR6)</p>
	<p><b>RC400 Remote Control</b></p> <p>Pairing</p> <p>① 5 s (H.I.)</p> <p>② 5 s (H.I.)</p>	<p><b>Alkaline</b> 9V Block</p>

<p><b>Rod Eye 140, Classic</b></p>		$0/1$
<p><b>Rod Eye Basic</b></p>		$0/1$
		$\pm 1 \text{ mm}, \pm 2 \text{ mm}, \pm 3 \text{ mm}$
		$\pm 1 \text{ mm}, \pm 3 \text{ mm}$

**Setting Forms**

① ②

③ ④

⑤ ⑥

⑦ ⑧ ⑨

1+2

3

4

5

6

7

8

9

10

11

12

13

14

15

16

17

18

19

20

21

22

23

24

25

26

27

28

29

30

31

32

33

34

35

36

37

38

39

40

41

42

43

44

45

46

47

48

49

50

51

52

53

54

55

56

57

58

59

60

61

62

63

64

65

66

67

68

69

70

71

72

73

74

75

76

77

78

79

80

81

82

83

84

85

86

87

88

89

90

91

92

93

94

95

96

97

98

99

100

**Checking Grades**

① ②

③ ④

⑤ ⑥

⑦ ⑧ ⑨

1+2

3

4

5

6

7a

7b

7c

8

9

10

11

12

13

14

15

16

17

18

19

20

21

22

23

24

25

26

27

28

29

30

31

32

33

34

35

36

37

38

39

40

41

42

43

44

45

46

47

48

49

50

51

52

53

54

55

56

57

58

59

60

61

62

63

64

65

66

67

68

69

70

71

72

73

74

75

76

77

78

79

80

81

82

83

84

85

86

87

88

89

90

91

92

93

94

95

96

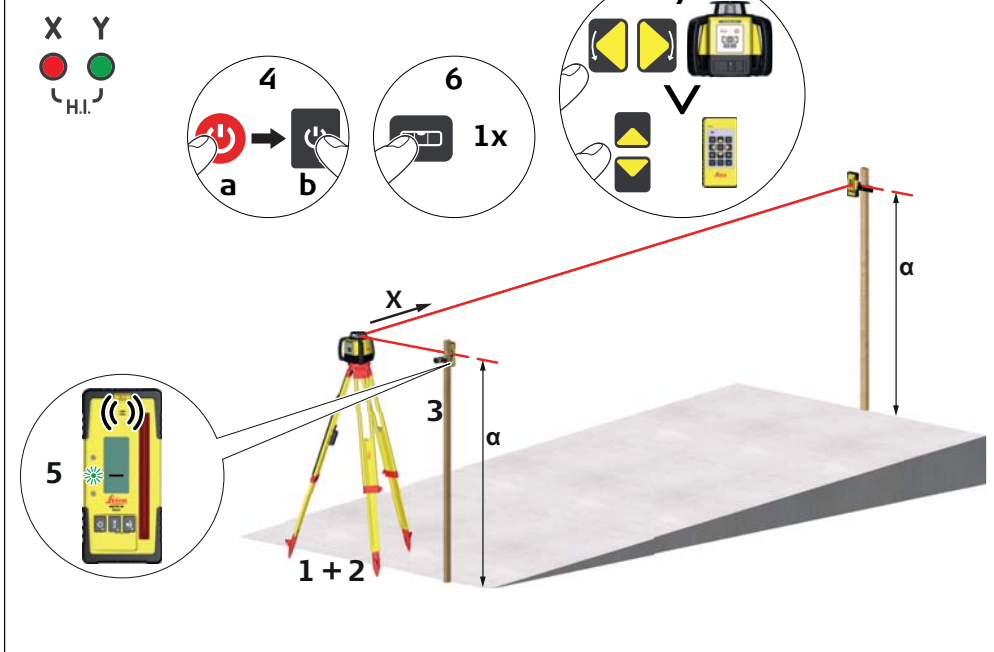
97

98

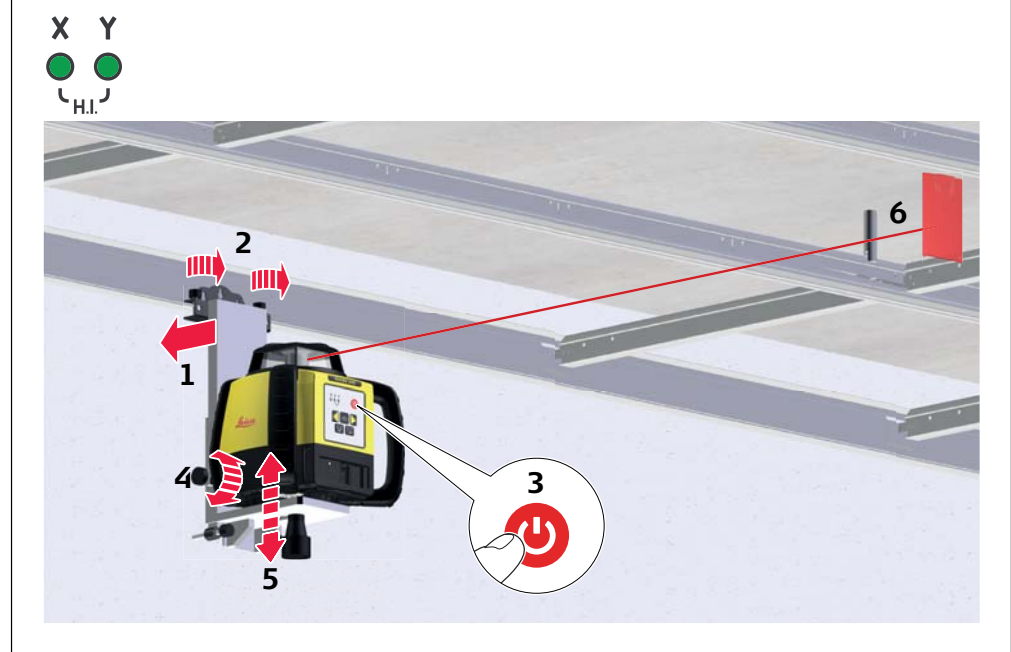
99

100

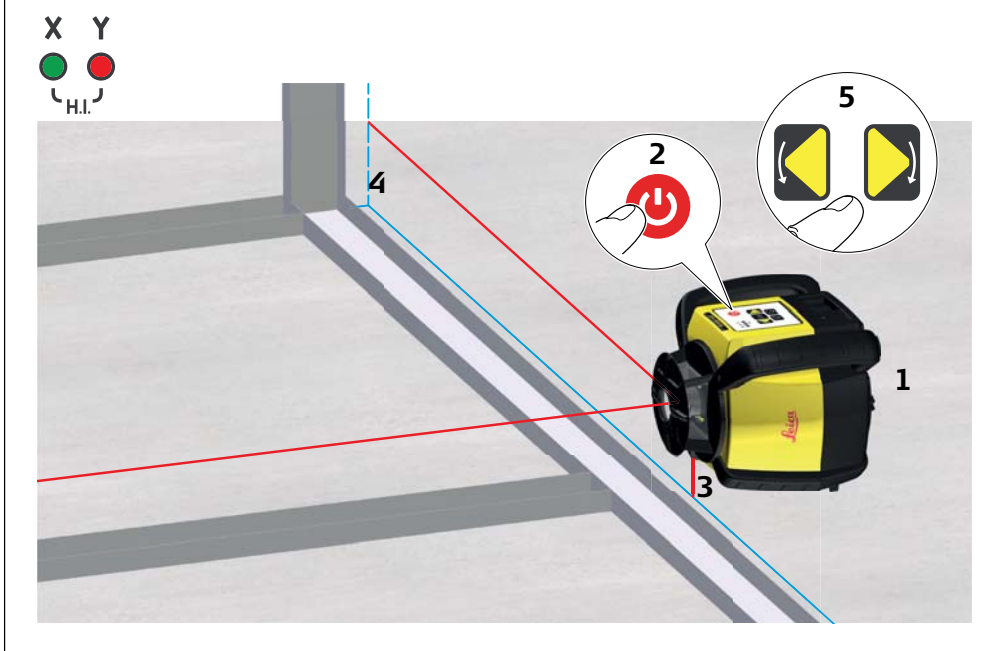
## Manual Grading



## Suspended Ceilings



## Layout



Laser class 2 product in accordance with IEC 60825-1

Leica Geosystems AG  
 Heinrich-Wild-Strasse  
 CH-9435 Heerbrugg  
 Switzerland  
 Phone +41 71 727 31 31  
[www.leica-geosystems.com](http://www.leica-geosystems.com)

799992-1.0.0  
 Original text  
 © 2013 Leica Geosystems AG, Heerbrugg, Switzerland

- when it has to be **right**

**Leica**  
 Geosystems