

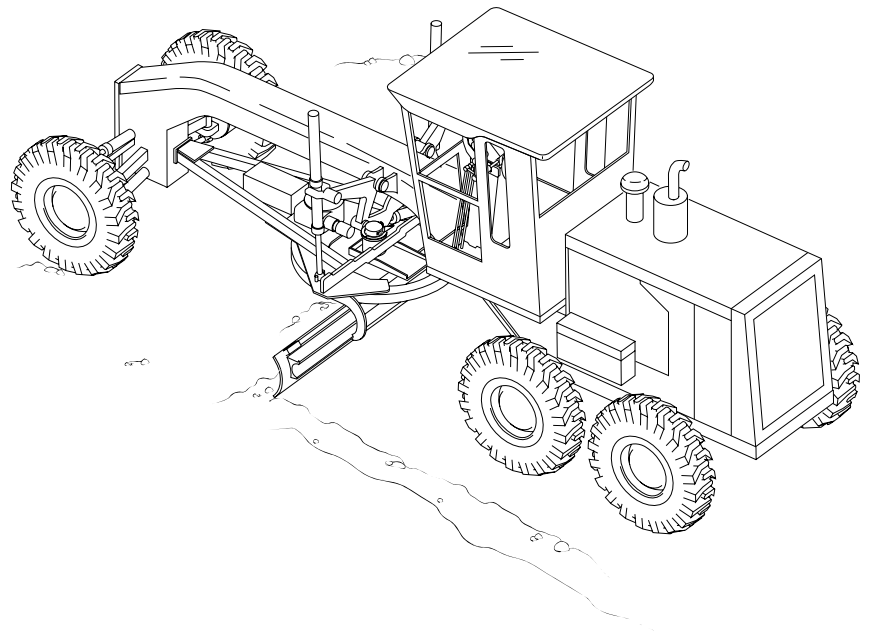
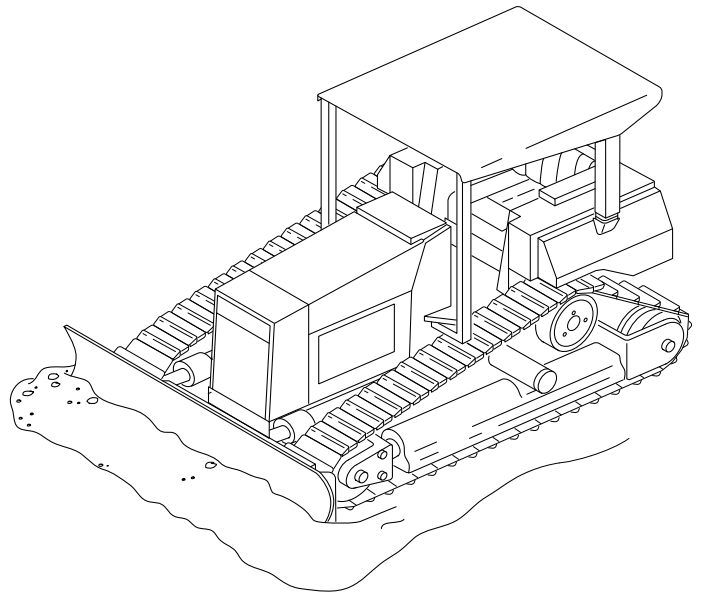


## Description

The GX-55 graphical computer display is designed for rugged machine environments. Light and compact with a full-color LCD touch sensitive screen and integrated grade indicator LEDs, Topcon's GX-55 is a fully functioning Windows® computer that provides the operator with real-time grade information and control. The GX-55 is constructed of a strong cast housing and sealed internals, and features USB, Ethernet, CAN and RS-232 ports.

## Features

- Large 6.5 inch diag. sunlight viewable color LCD with touch screen
- Integrated grade indicator LEDs
- Flash download capability (application code revisions in the field)
- Easy-access USB port for saving and downloading job files



# Specifications

## Electrical

<b>Supply Voltage</b>	9-32 VDC
<b>Supply Current</b>	2A typical operating current; max. at 10 VDC input power, no peripheral equipment; 7A max. operating current
<b>Switched Output Power</b>	5A sensor/conditioned output power
<b>Ports</b>	USB (2), RS-232, CAN (2), Digital inputs (2), and Ethernet
<b>Emissions</b>	Applicable regulation: EN55022:1994 30-230 MHz            40 dB (mV/m); max at 10 m 230-1000 MHz        47 dB (mV/m); max at 10 m
<b>Immunity</b>	Applicable regulation: EN55024:1998 A1:2001 and A2:2003 ESD:                    ±8KV RF:                     27 to 500 MHz 3V/m Fast transient:        ±0.5KV capacitively coupled

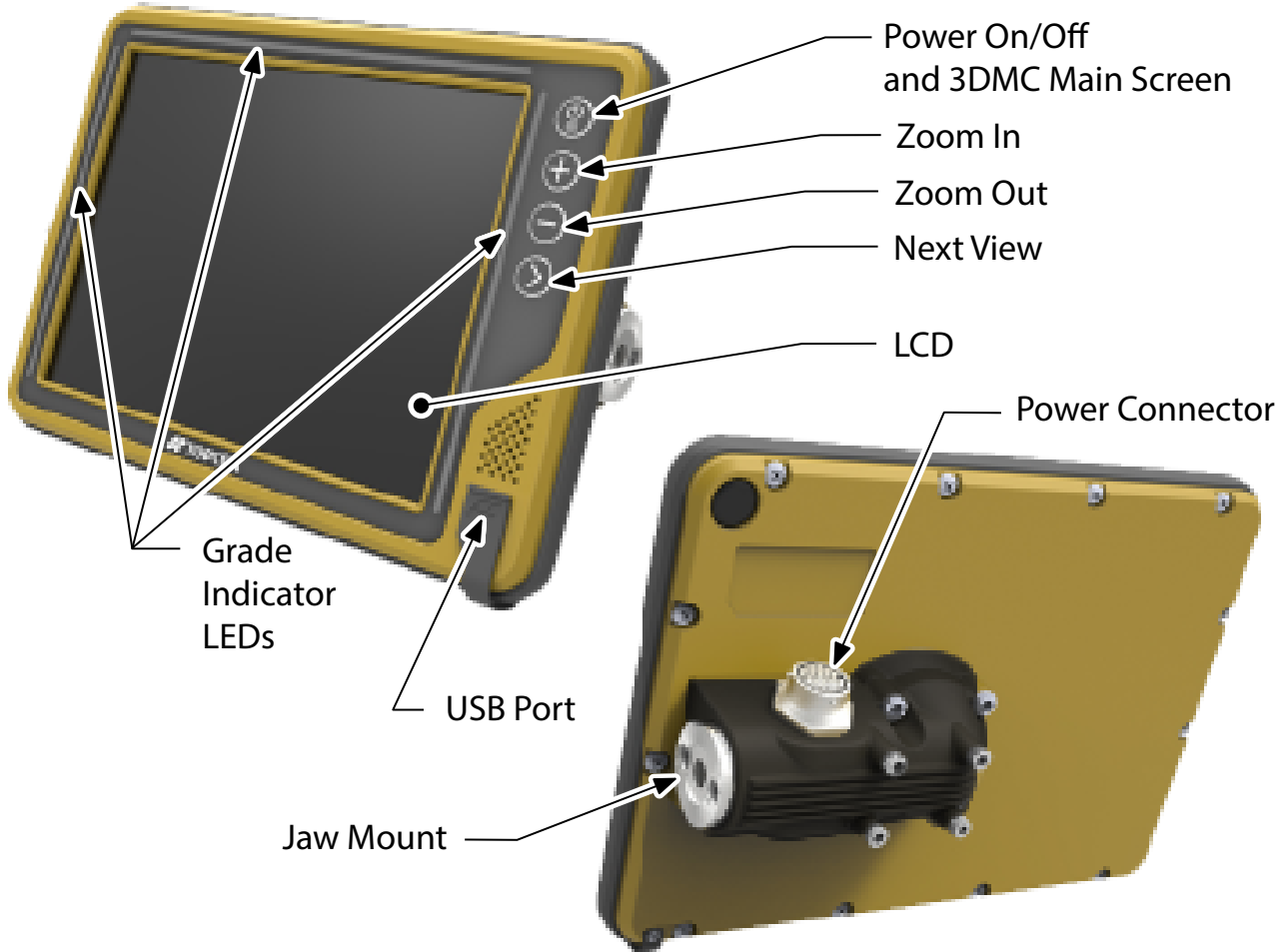
## Physical

<b>Display</b>	640x480 color VGA, enhanced brightness w/ analog touch screen
<b>Housing</b>	Cast aluminum (see envelope dimensions)
<b>Audio</b>	1 ea environmentally sealed speaker w/ 1.5 watt amp
<b>Switches</b>	4 ea momentary push button (power, navigation)
<b>Connectors</b>	26 pin AMP connector without backpack 1 ea 19 socket MIL-C-5015 cylindrical connector, gold plated contacts, conductive anticorrosive plated housing, with backpack
<b>Weight</b>	2 lbs 13 oz with backpack; 2 lbs 3 oz without backpack

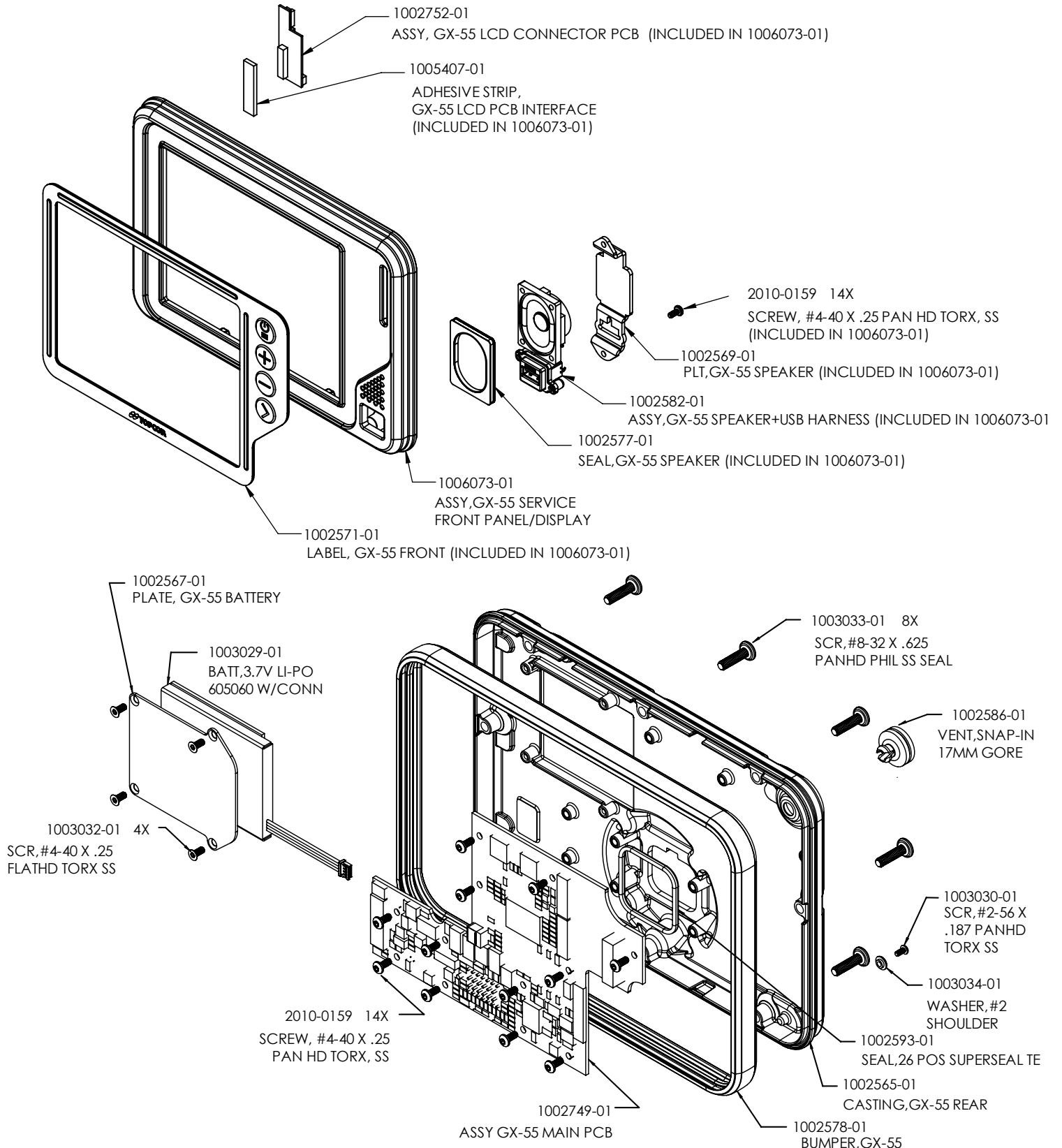
## Environmental

<b>Operating Temperature</b>	-40°C to +70°C
<b>Moisture Test</b>	240 hours at 96% RH
<b>Shock Test</b>	25G 11 ms ½ sine wave each axis
<b>Vibration Test</b>	10-200Hz random 7.7 Grms
<b>Salt Fog Test</b>	48 hours (ASTM B117-97)
<b>Ingress Rating</b>	IP 66, IP 67

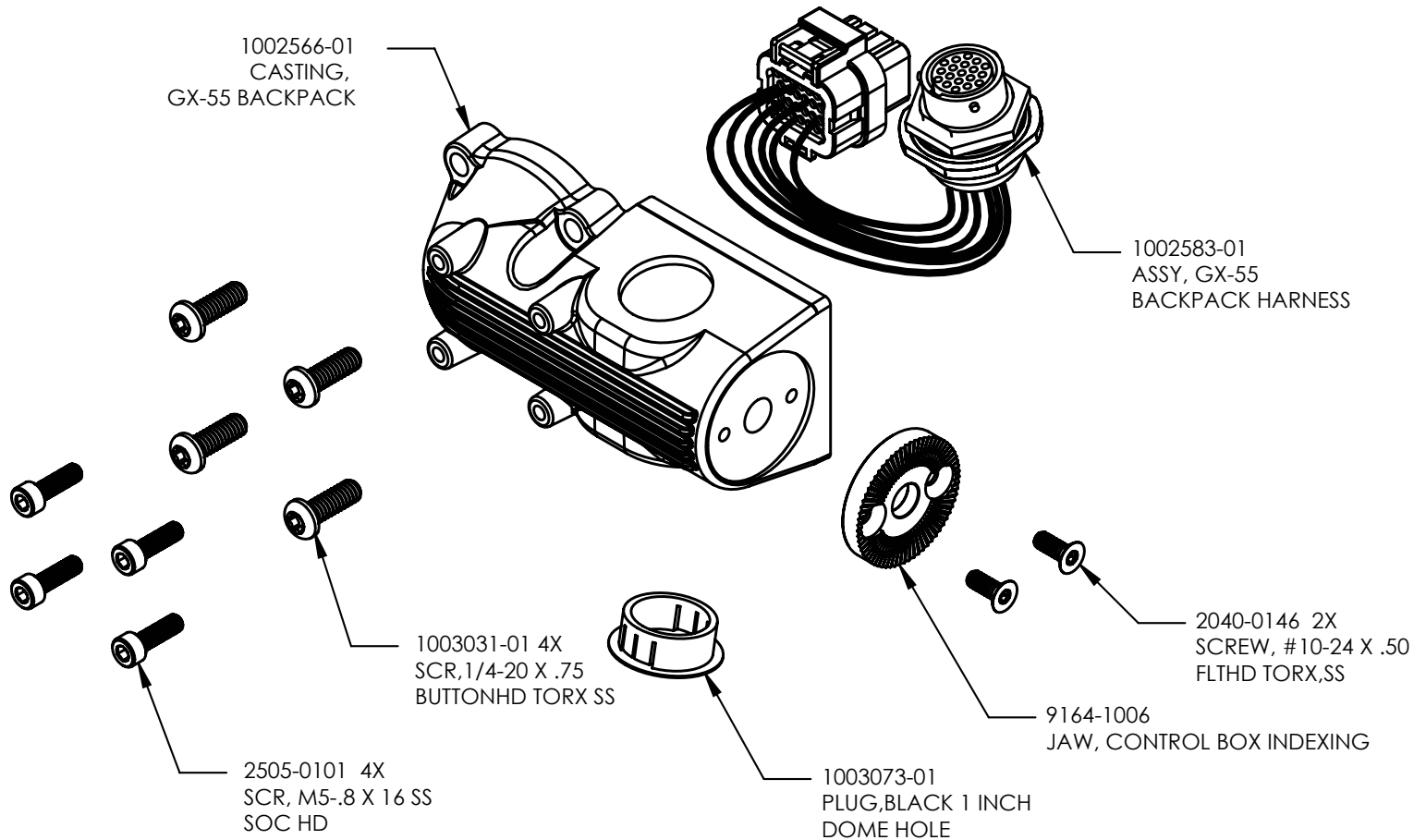
## Features



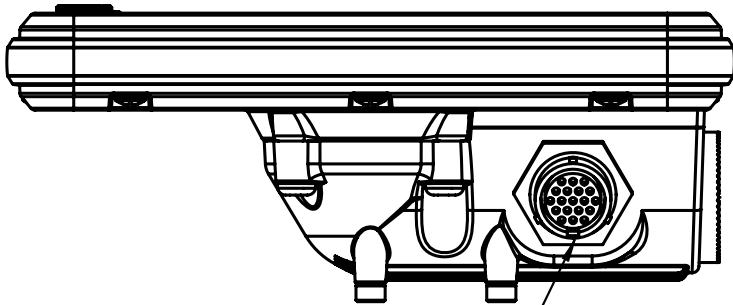
### Service Parts (Part 1 of 2)



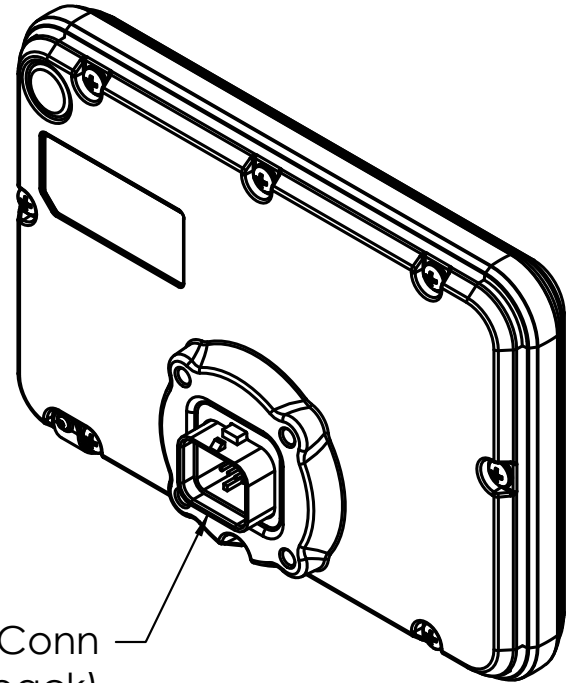
## Service Parts (Part 2 of 2)



### Connector Pinouts



Backpack Conn



Display Conn  
(Connects to Backpack)

**Backpack Conn  
19 Socket Bayo  
DTM06-12SA**

A	CAN A+
B	CAN A-
C	PWR IN
D	GND IN
E	V-SUPPLY
F	GND (CAN A)
G	N/A
H	GND (CAN A)
J	ENET RX+
K	ENET RX-
L	ENET TX+
M	ENET TX-
N	RX SERIAL
P	CAN B+
R	TX SERIAL
S	CAN B-
T	N/A
U	N/A
V	V-SUPPLY (CAN A)

**Display Conn  
26 Socket  
1473416-1**

1	BATTERY IN	14	USB+
2	IGNITION IN	15	ETHERNET RX-
3	GND	16	GND
4	GND	17	GND
5	CAN A PWR	18	SERIAL TX
6	CAN B PWR	19	SERIAL RX
7	PWR OUT	20	ETHERNET TX-
8	USB-	21	ETHERNET TX+
9	ETHERNET RX+	22	GND
10	GND	23	CAN A LO
11	GND	24	CAN A HI
12	N/A	25	CAN B LO
13	USB PWR	26	CAN B HI

## Envelope Dimensions

